

Temperature Compensated Crystal Oscillators (TCXO) Surface Mount Type TCXO (LSI Type) KT2520 Series for GPS



2.5×2.0mm



Ph Free

RoHS Compliant

Features

- Ultra-miniature SMD type (2.5×2.0×0.8mm)
- Frequency stability : ±0.5×10⁻⁶/-30 to +85°C
- 1.7 to 3.5V drive available
- Reflow compatible

Applications

- GPS Units

How to Order

KT2520F 16369 A C W 18 T xx
① ② ③ ④ ⑤ ⑥ ⑦ ⑧

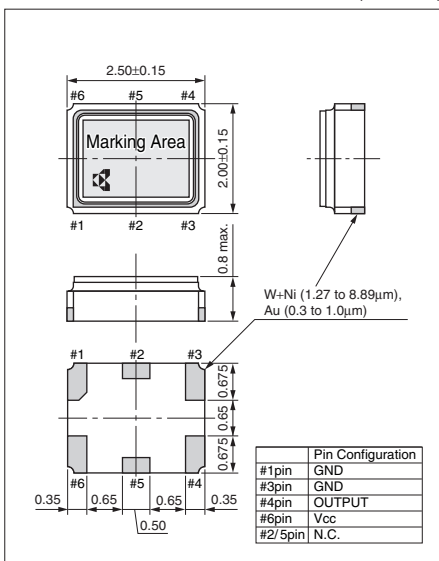
- ① Series
 - ② Output Frequency
 - ③ Frequency Tolerance
 - ④ Lower Operating Temp.
 - ⑤ Upper Operating Temp.
 - ⑥ Supply Voltage
 - ⑦ Voltage Control Range
 - ⑧ Option Code
- | | |
|---|-----------------------|
| A | ±0.5×10 ⁻⁶ |
| C | -30°C |
| E | -20°C |
| G | -10°C |
| W | +85°C |
| V | +80°C |
| U | +75°C |
- | | | | |
|------|------|----|------|
| 18 | 1.8V | 28 | 2.8V |
| TCXO | | T | |

Specifications

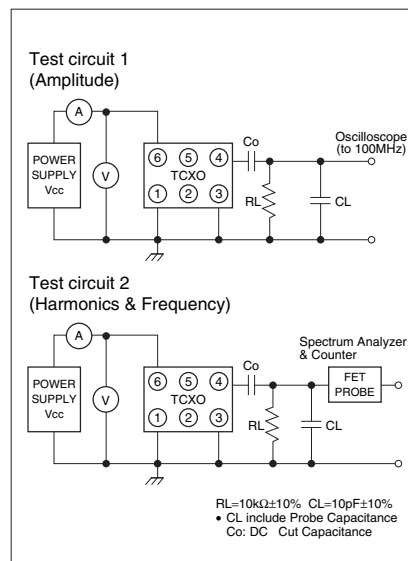
Item	Symbol	Conditions	Min.	Max.	Units
Output Frequency Range	f _o	Standard Frequency: 16.368, 16.369, 19.2, 23.104, 24.5535, 26, 27.456	—	—	MHz
Frequency Tolerance	f _{tol}	vs Temperature	-0.5	+0.5	×10 ⁻⁶
		vs Load	-0.2	+0.2	
		vs Voltage	-0.3	+0.3	
Frequency Aging	f _{age}	Per Year	-1	+1	×10 ⁻⁶
Storage Temperature Range	T _{stg}		-40	+85	°C
Operating Temperature Range	T _{use}		-30	+85	°C
Supply Voltage	V _{CC}		1.7	3.5	V
Output Level	V _{pp}	10k ohm // 10pF	0.8	—	Vp-p
Current Consumption	I _{CC}		—	2	mA
Harmonics	—		—	-5	dBc

Dimensions

(Unit: mm)



Test Circuit



Recommended Land Pattern

(Unit: mm)

